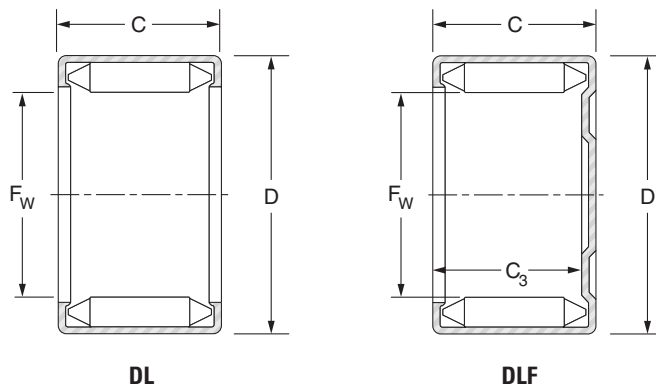


# Needle bushes, full complement, retained

open series DL

closed end series DLF



Shaft ∅ mm	Designation	Fw mm	D mm	C mm	C <sub>3</sub> min. mm	Load Ratings kN		Speed limit min <sup>-1</sup>		Weight kg	Internal ring
						Dynamic	Static	Grease	Oil		
						C	C <sub>0</sub>				
6	DL 6 10	6	12	10	–	2.90	3.80	33000	50000	0.004	
	DLF 6 10	6	12	10	7.7	2.90	3.80	33000	50000	0.004	
8	DL 8 10	8	14	10	–	4.50	6.50	24000	37500	0.005	
	DLF 8 10	8	14	10	7.7	4.50	6.50	24000	37500	0.006	
10	DL 10 12	10	16	12	–	7.00	10.9	20000	30000	0.008	
	DLF 10 12	10	16	12	9.7	7.00	10.9	20000	30000	0.009	
12	DL 12 10	12	18	10	–	6.00	9.7	16000	25000	0.008	JR8x12x10.5
	DLF 12 10	12	18	10	7.7	6.00	9.7	16000	25000	0.008	JR8x12x12.5
	DL 12 12	12	18	12	–	7.00	11.5	16000	25000	0.009	JR8x12x12.5
	DLF 12 12	12	18	12	9.7	7.00	11.5	16000	25000	0.010	JR8x12x12.5
13	DL 13 12	13	19	12	–	8.50	14.2	15000	23000	0.010	JR10x13x12.5
	DLF 13 12	13	19	12	9.7	8.50	14.2	15000	23000	0.011	JR10x13x12.5
14	DL 14 12	14	20	12	–	7.90	13.5	14000	21500	0.011	JR10x14x12.5
	DLF 14 12	14	20	12	9.7	7.90	13.5	14000	21500	0.012	JR10x14x12.5
15	DL 15 12	15	21	12	–	9.40	16.4	13000	20000	0.011	JR12x15x12.5
	DLF 15 12	15	21	12	9.7	9.40	16.4	13000	20000	0.012	JR12x15x12.5
16	DL 16 12	16	22	12	–	8.70	15.5	12000	18500	0.012	JR12x16x12.5
	DLF 16 12	16	22	12	9.7	8.70	15.5	12000	18500	0.013	JR12x16x12.5
17	DL 17 12	17	23	12	–	9.00	16.2	11000	17500	0.013	JR13x17x12.5
	DLF 17 12	17	23	12	9.7	9.00	16.2	11000	17500	0.014	JR13x17x12.5
18	DL 18 12	18	24	12	–	10.7	19.5	11000	16500	0.014	JR13x18x12.5
	DLF 18 12	18	24	12	9.7	10.7	19.5	11000	16500	0.016	JR13x18x12.5
	DL 18 16	18	24	16	–	16.0	29.5	11000	16500	0.019	JR15x18x16.5
	DLF 18 16	18	24	16	13.7	16.0	29.5	11000	16500	0.021	JR15x18x16.5